



siora

Preserving Nature's Most
Wonderful Creation

ADROIT

Multifix Tibia Nailing System

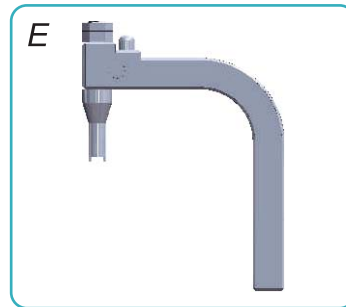
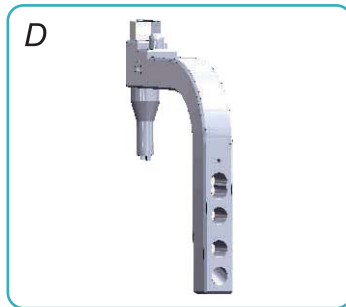
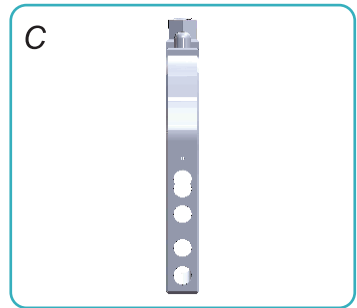
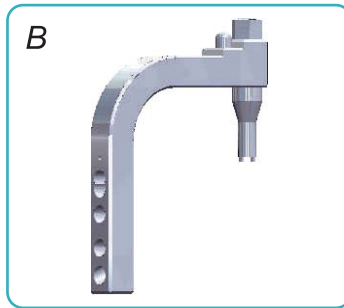
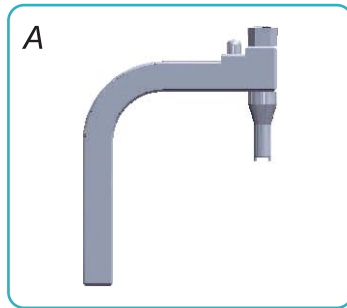
CONTENTS

S.NO.	DESCRIPTION	P. NOS.
1.	IMPLANTS	01 - 02
2.	INSTRUMENTS	03 - 06
3.	GRAPHIC ALUMINIUM INSTRUMENT BOX	07

ADROIT Multifix Tibia Nail



ZIG POSITIONING



8.0MM DIA		
	S.S.	TITANIUM
LENGTH	CAT NO.	CAT NO.
280MM	047.08.28	Ti.047.08.28
300MM	047.08.30	Ti.047.08.30
320MM	047.08.32	Ti.047.08.32
340MM	047.08.34	Ti.047.08.34
360MM	047.08.36	Ti.047.08.36
380MM	047.08.38	Ti.047.08.38

9.0MM DIA		
	S.S.	TITANIUM
LENGTH	CAT NO.	CAT NO.
280MM	047.09.28	Ti.047.09.28
300MM	047.09.30	Ti.047.09.30
320MM	047.09.32	Ti.047.09.32
340MM	047.09.34	Ti.047.09.34
360MM	047.09.36	Ti.047.09.36
380MM	047.09.38	Ti.047.09.38

10.0MM DIA		
	S.S.	TITANIUM
LENGTH	CAT NO.	CAT NO.
280MM	047.10.28	Ti.047.10.28
300MM	047.10.30	Ti.047.10.30
320MM	047.10.32	Ti.047.10.32
340MM	047.10.34	Ti.047.10.34
360MM	047.10.36	Ti.047.10.36
380MM	047.10.38	Ti.047.10.38

Locking Bolt 4.9mm Self Tapping

Dia 4.9mm

Length	Cat No.	Length	Cat No.
24mm	040.024	52mm	040.052
26mm	040.026	54mm	040.054
28mm	040.028	56mm	040.056
30mm	040.030	58mm	040.058
32mm	040.032	60mm	040.060
34mm	040.034	65mm	040.065
36mm	040.036	70mm	040.070
38mm	040.038	75mm	040.075
40mm	040.040	80mm	040.080
42mm	040.042	85mm	040.085
44mm	040.044	90mm	040.090
46mm	040.046	95mm	040.095
48mm	040.048	100mm	040.100
50mm	040.050		



Locking Bolt 3.9mm Self Tapping

Dia 3.9mm

Length	Cat No.	Length	Cat No.
20mm	041.020	48mm	041.048
22mm	041.022	50mm	041.050
24mm	041.024	52mm	041.052
26mm	041.026	54mm	041.054
28mm	041.028	56mm	041.056
30mm	041.030	58mm	041.058
32mm	041.032	60mm	041.060
34mm	041.034		
36mm	041.036		
38mm	041.038		
40mm	041.040		
42mm	041.042		
44mm	041.044		
46mm	041.046		



723.201
Zig For ADROIT Multifix Tibia Nail



723.202
Conical Bolt For ADROIT Multifix Tibia Nail



723.203
Protection Sleeve



723.204
Drill Sleeve for 4.0mm Drill Bit



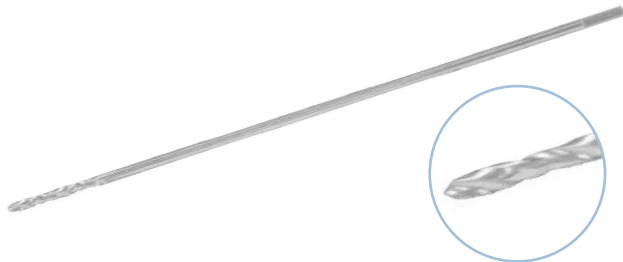
723.205
Drill Sleeve for 3.2mm Drill Bit



723.206
Trocar Pointer



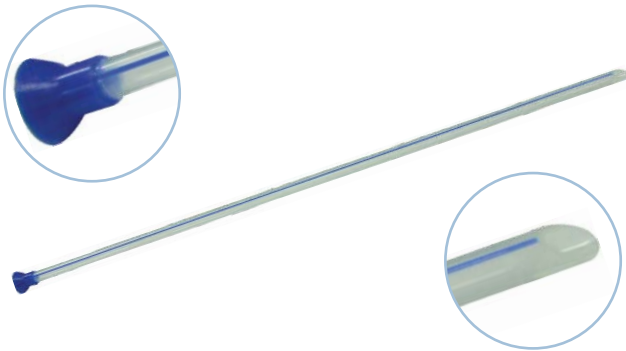
261.637
Drill Bit, Plain Shank 3.2mm x 250mm Length



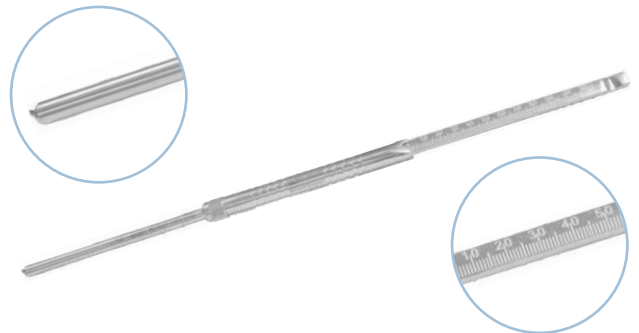
261.640
Drill Bit, Plain Shank 4.0mm x 250mm Length



710.005
Plastic Madullary Tube



303.050
Depth Gauge With 130mm Long Sleeve For ADROIT Multifix Tibia Nail Set



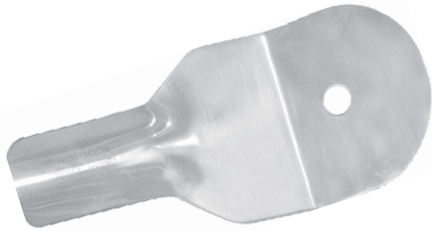
714.067
Socket Wrench 10mm



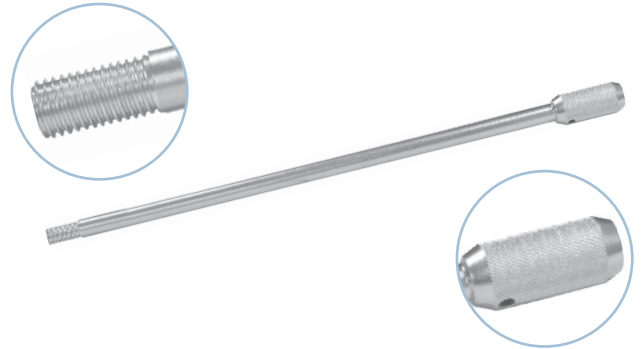
301.051
Extra Long Screw Driver 3.5mm Tip



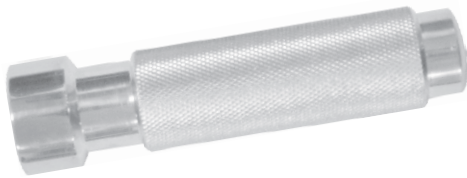
710.002
Tissue Protector



723.101
Extractor Rod



723.102
Handle for Extractor



723.103
Hammer for Extractor Rod



714.068
Suping Driver



384.010
Diamond Pointed AWL



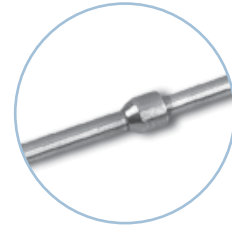
714.073
Tommy Bar



723.039
Reaming Rod Plain 2.5mm x 750mm Long

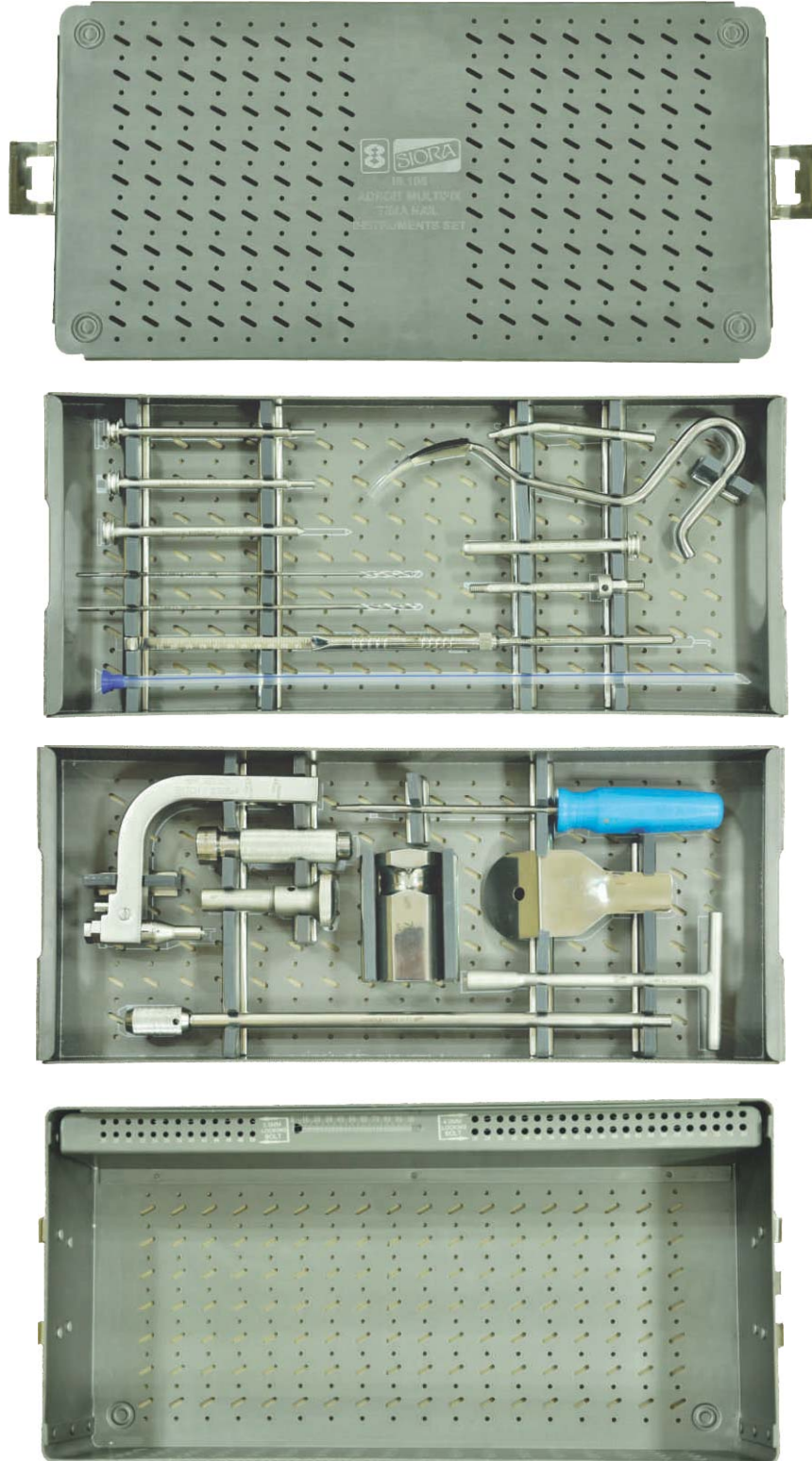


723.040
Reaming Rod with Stopper 2.5mm x 750mm Length



400.085

Graphic Aluminium Instrument Box for ADROIT Multifix Tibia Nail Set with Three Trays



siora

Siora Surgicals Pvt. Ltd.

Manufacturer of Orthopaedic Implants & Instruments

Corporate Office:

WZ-1, Phool Bagh,
Rampura,
Nr. Ashoka Park Metro Stn.
Delhi-110035 (INDIA)

Manufacturing Unit:

1792, HSIIDC Industrial Estate,
RAI, District - Sonipat,
Haryana - 131029 (INDIA)

Contact:

Tel: +91-11-28 31 61 16

Tel: +91-11- 28 31 61 17

Tel: +91-11- 28 31 61 18

Website: www.siora.com

Domestic Enquiry: sales@siora.net

International Enquiry: impex@siora.net